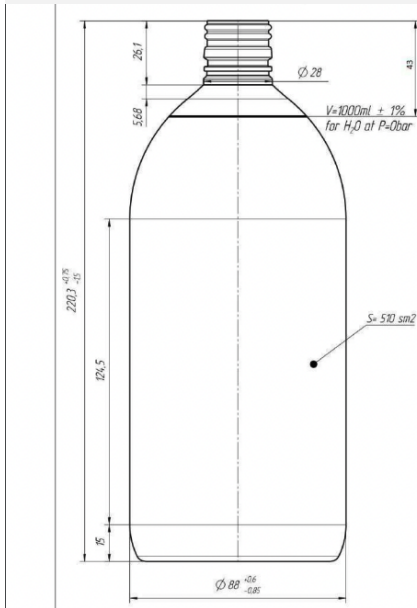


Pharma Sirop 1000



Food contact statement

We hereby confirm that this product complies with the requirements of the European legislation (EU) no 10/2011 and all its amendments for plastics used in contact with food

General info

Item no. (SKU):	LS1011638101
Family / Range:	Pharma Sirop
Capacity:	1000ml
Neck:	28 ROPP
Weight:	48
Shape:	Round
Material:	PET
Colour:	All Colours Available
Print Areas:	
Country of Origin:	Lithuania

Packaging Info

Packed in Boxes

Box Dimensions (mm):	594 x 394 x 448
Quantity per box (pcs):	60
Boxes per pallet (pcs):	20
Quantity per pallet (pcs):	1200
Net weight (kg):	58
Gross weight (kg):	80
Pallet height (mm):	2400

Packed in PE bags on trays (Full pallet)

Tray dimensions (mm):	1200 x 800 x 50
Quantity per tray (pcs):	122
Quantity per PE bag (pcs):	61
PE bags per tray (pcs):	2
Trays per pallet (pcs):	10
Quantity per pallet (pcs):	1220
Net weight (kg):	59
Gross weight (kg):	74
Pallet height (mm):	2400

Storage

Please be aware that these products are handled and stored correctly in order to ensure the safety and quality of our products. When storing this product, please avoid excessive force and storage above 40 degrees Celsius (86 degrees Fahrenheit)